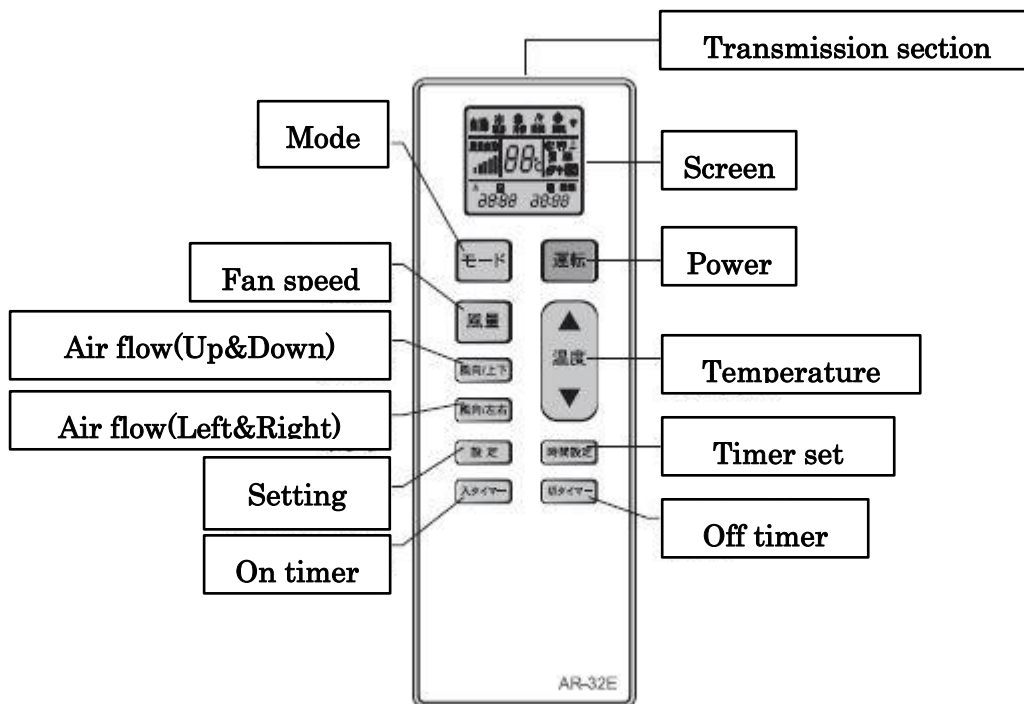


# Multi Remote Control



## ■ Power



Press to start operation, press again to stop.

## ■ Mode



Each time the button is pressed, the mode changes.

## ■ Fan speed



Each time the button is pressed, the fan speed changes. \* It is different for each manufacturer or model to control the fan speed.

## ■ Air flow(Left&Right)



This button changes the air flow(Left&Right) direction. \* It is different for each manufacturer or model to change the air flow.

## ■ Air flow(Up&down)



This button changes the air flow(Up&Down) direction. \* It is different for each manufacturer or model to change the air flow.

## ■ Temperature



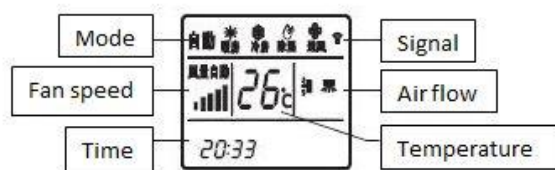
This button changes the room temperature. It is different for each manufacturer or model to change the temperature.

## ■ Current time



1. Press and hold this button, so you will see the time is blinking on the screen. Set the timer with ▲ or ▼.
2. Press the current time setting, and you will see the minute is blinking. Please set the minute and res time setting button. The time display changes from blinking to steady lighting and the time setting is complete.

## ■ Display on the screen



## ● Automatical setting

1. Please make the remote control face to the unit.
2. Please press and hold [setting] the button. After 5 sec, manufacturer code search will start.(3 digits of number will blink on the screen right bottom). The number will tick up by 000, and please release [setting] button when the unit is turned on.  
※If you missed it to release, press ▼ or ▲ and change the number.
3. Press the [setting]button, setting is complete.

## ● Manual setting

1. Please make the remote control face to the unit.
2. Press the [setting] button for 2 seconds, 3 digits of number will blink.
3. Press ▲ and ▼(button) and set up the manufacturer code. (Hold ▲or▼ for 3 seconds, you can change the number continuously)  
※Please check the manufacturer code from the table on the right.
4. Checking air conditioner is working, please press the [setting] button.

### Precaution to set the timer



#### ■ On timer



※ Please do the following here when the unit is off

1. Press the [on timer] button, on timer mark and hour will be blinking. Press the ▲or▼(Timer) button, and press the [On timer] to set.
2. If the [On timer] is showed up on the screen, press the [On timer] button and timer mark will dissappear.

#### ■ Off timer



※ Please do the following here when the unit is on.

1. Press the [Off timer] button, off time hour and mark will be blinking. Please press the ▲or▼(button), and press the [Off timer] to set.
2. If the [Off timer] is showed up on the screen, press the [Off timer] button and timer mark will dissappear.

※ Time display at timer setting is different for each manufacturer code.

※ Regarding the timer function, it would not occasionally work depending on manufacturer and model.

Global Service Center : 0120-984-578 Office hours : 10:00 ~ 19:00

EXPANDING VALUE  
**Leopalace21**

We are assisting for your inquiry such as frequently asked questions.  
<http://www.leopalace21.com/custhelp/en/>

#### ■ For personal computer

Leopalace  
Frequently Asked  
Questions

Search



#### ■ For smart phone users.

